



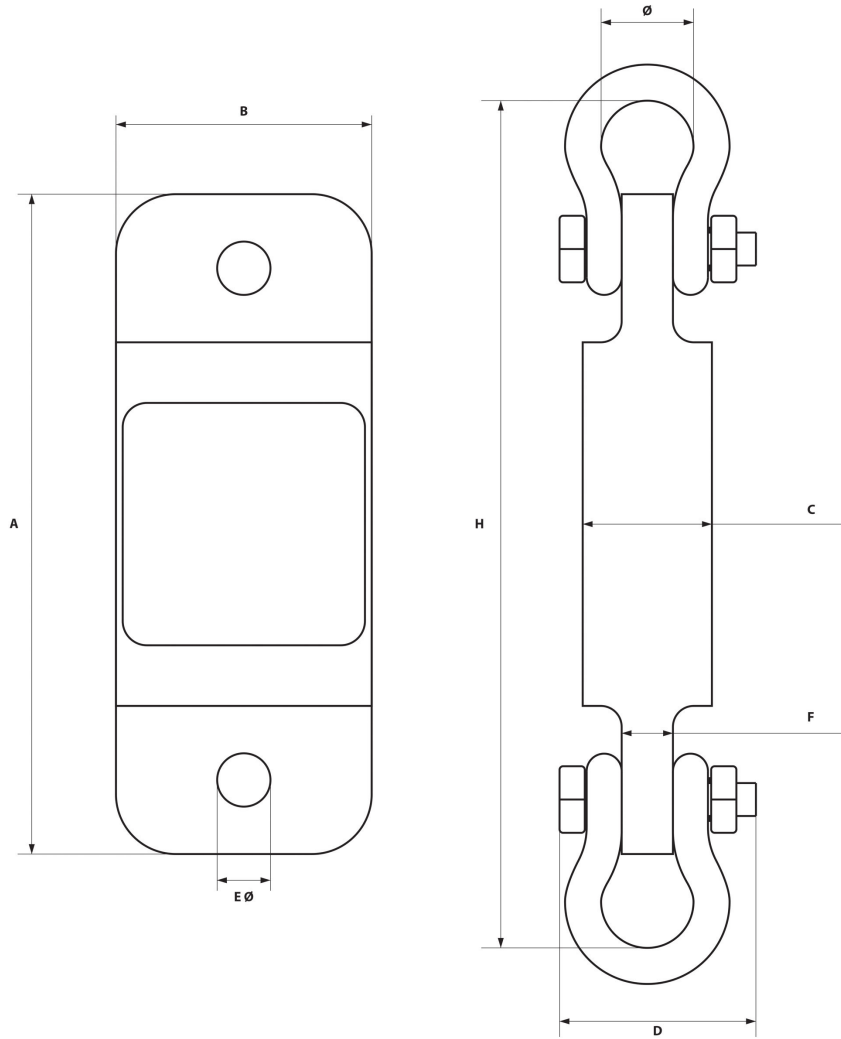
## Dinamometro 20 Tons. Aleacion liviana IP67

### Características Esenciales

- 3 Años de Garantía, Partes y Servicios Disponibles en América

## Especificaciones Técnicas

<b>Capacidad de Carga</b>	44000 lb / 20 ton	<b>Balance Cero</b>	±1% FS, TCO = ±0.05% FS   50 °F / 10 °C
<b>Grado de Precision</b>	Grade III / n=3000	<b>Fuente de Alimentación del Receptor</b>	3 Battery (pilas) AA 1.5V
<b>Intervalos de Medición</b>	1/2/5/10/20/50 lb/kg	<b>Rango de temperatura de Trabajo</b>	4° - 122 °F / -20° - 50° C
<b>Frecuencia de Muestro (por seg)</b>	80 times per sec	<b>Garantía</b>	3 Year
<b>Peso Minimo</b>	15 lb		



Model / Modelo	PWHYCS1T	PWHYCS5T	PWHTCS10T	PWHYCS20T	PWHYCS30T	PWHYCS50T
A	9 5/8 in	11 1/4 in	12 1/3 in	16.5 in	16.5 in	18.3 in
	244.5 mm	286 mm	318 mm	420 mm	420 mm	465 mm
B	3 3/4 in	4 in	4 1/2 in	4.8 in	5.4 in	5.9 in
	95.3 mm	102 mm	114 mm	128 mm	138 mm	150 mm
C	1 7/8 in	2 in	1 7/8 in	2.8 in	3.1 in	3.9 in
	47.6 mm	51 mm	48 mm	70 mm	80 mm	100 mm
D	2 13/16 in	4 7/8 in	6 1/2 in	10.2 in	11 in	12 in
	71.4 mm	124 mm	165 mm	260 mm	280 mm	305 mm
Ø	1 3/8 in	2 1/4 in	3 1/4 in	5 in	5.7 in	7.2 in
	34.9 mm	57 mm	83 mm	127 mm	146 mm	184 mm
H	12 in	16 in	19 1/2 in	25.9 in	29.1 in	36.6 in
	304.8 mm	406 mm	495 mm	660 mm	740 mm	930 mm
EØ	13/16 in	1 7/16 in	1 7/6 in			
	19.6 mm	37 mm	37 mm			
F	3/4 in	1 3/8 in	1 7/8 in			
	19.04 mm	35 mm	48 mm			

**Paquete 1 Profundidad** 19 in / 48.26 cm

Referential Images / Imágenes Referenciales  
Specifications may change without notice / las especificaciones pueden cambiar sin previo aviso