



## Cabrestante Marino Neumatico de 3 Toneladas

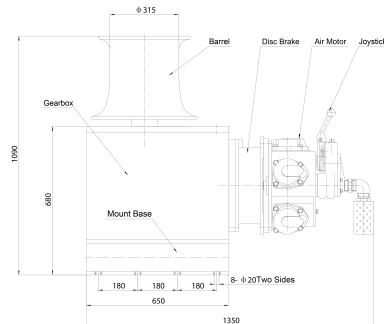
### Características Esenciales

- 3 Años de Garantía, Partes y Servicios Disponibles en América

Copyright: The pictures contained in this site belong to Prowinch LLC and are protected by copyright under national and international law. This information may not be reproduced, adapted or modified without the written consent of Prowinch LLC. The use of these images and texts implies that you should mention Prowinch LLC as owner. By consulting this site or downloading any information you agree to these conditions.

## Especificaciones Técnicas

<b>Capacidad de Carga</b>	30 kN	<b>Tipo de Motor</b>	TMH8
<b>Numero de Velocidades</b>	Variable Speed	<b>Garantía</b>	3 Year
<b>Potencia Total Watts</b>	12 kW		



Dimensiones in mm / Dimensiones en mm

**Paquete 1 Profundidad** 45 in / 114.3 cm

**Paquete 1 Altura** 42 in / 106.68 cm

Referential Images / Imágenes Referenciales  
Specifications may change without notice / las especificaciones pueden cambiar sin previo aviso