

Polea Fija Diametro 400mm para cable de 22mm 10 Tons F 4 1

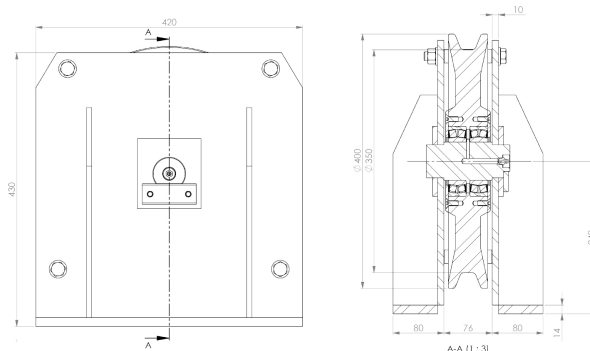
Características Esenciales

- 3 Años de Garantía, Partes y Servicios Disponibles en América



Especificaciones Técnicas

| | | | |
|---------------------------------|---------------------|-----------------|-------------|
| Capacidad de Carga | 22046 lb / 10000 kg | Normas | ASME B30.22 |
| Rango de cable admisible | 7/8 in / 22 mm | Garantía | 3 Year |
| Diámetro de la Polea | Ø15.7 in / Ø400 mm | | |



Technical Requirements:
 1. When installing the pulley block, there should be at least one wire rope installed in the direction of the force, so that the pulley base is compressed.
 2. The angle between the Ø22mm wire rope and the center of the pulley should not be greater than 5°.
 3. Fill 2/3 of the bearing with lithium-based grease.

Referential Images / Imágenes Referenciales
Specifications may change without notice / las especificaciones pueden cambiar sin previo aviso